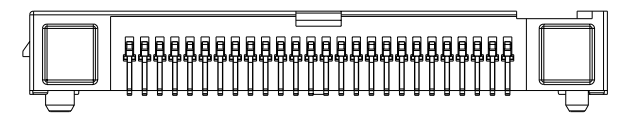
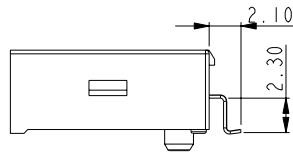
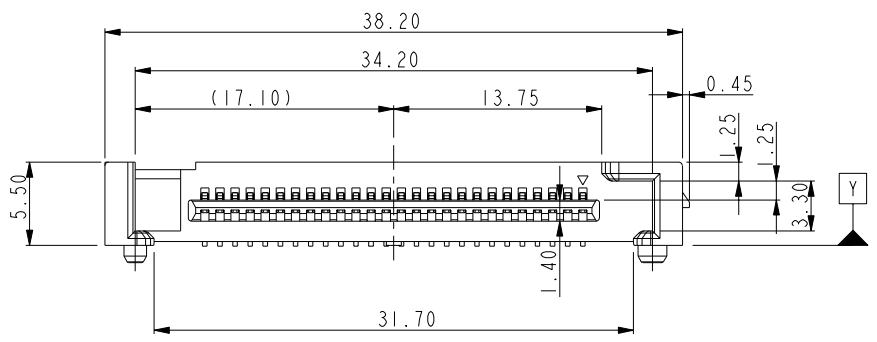
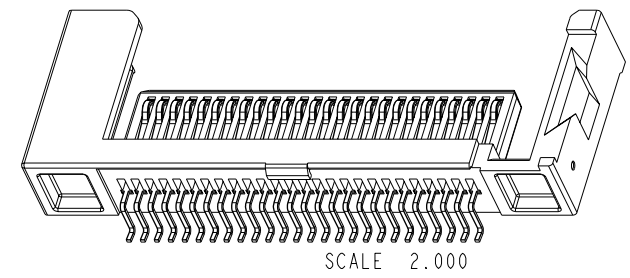
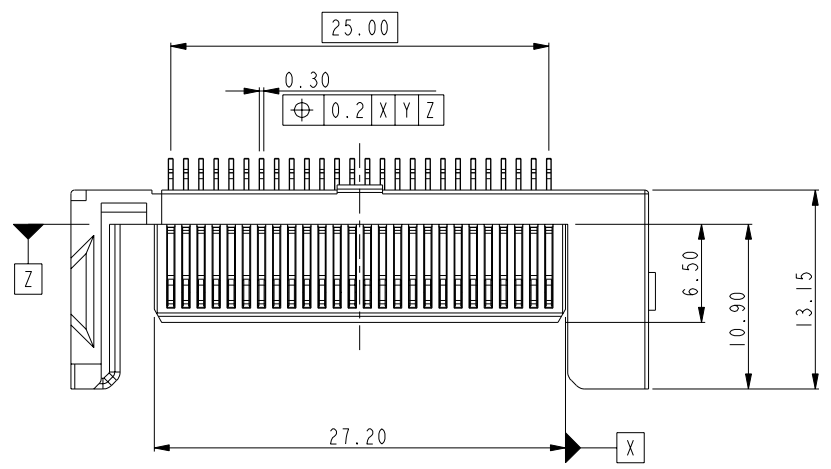
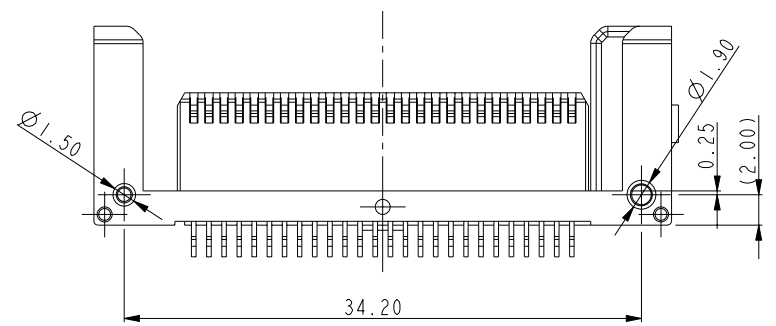




Copyright FCI.



SCALE 2.000



rev	ecn no	dr	date
A	T05-0186	TAI	08-31-2005
B	T06-0165	TAI	09-21-2006
C	N08-0069	R.B	2008/04/22
D	N08-0222	R.B	2008/10/14
-	-	-	-
-	-	-	-
-	-	-	-

www.fciconnect.com		surface	tolerance std	projection	MM
		✓	ASME Y14.5	⊕	↔
		TOLERANCES UNLESS OTHERWISE SPECIFIED			
Dr	KENNY TAI	04-08-2005	ANGULAR	size	A4
Eng	KENNY TAI	04-08-2005	LINEAR	Scale	1.000
Chr	KENNY TAI	04-08-2005	0° ±2°	ECN	T07-0001
Appr	PAUL WANG	04-08-2005	Product family	Spec ref	*
FCI		title		dwg no	Rev.
		BELOW MOUNT, 0 STAND-OFF		10055262	D
		EXPRESSCARD HOST CONNECTOR		CUSTOMER	sheet 1 of 2
		catalog no	10055262		

REV F - 2006-04-11

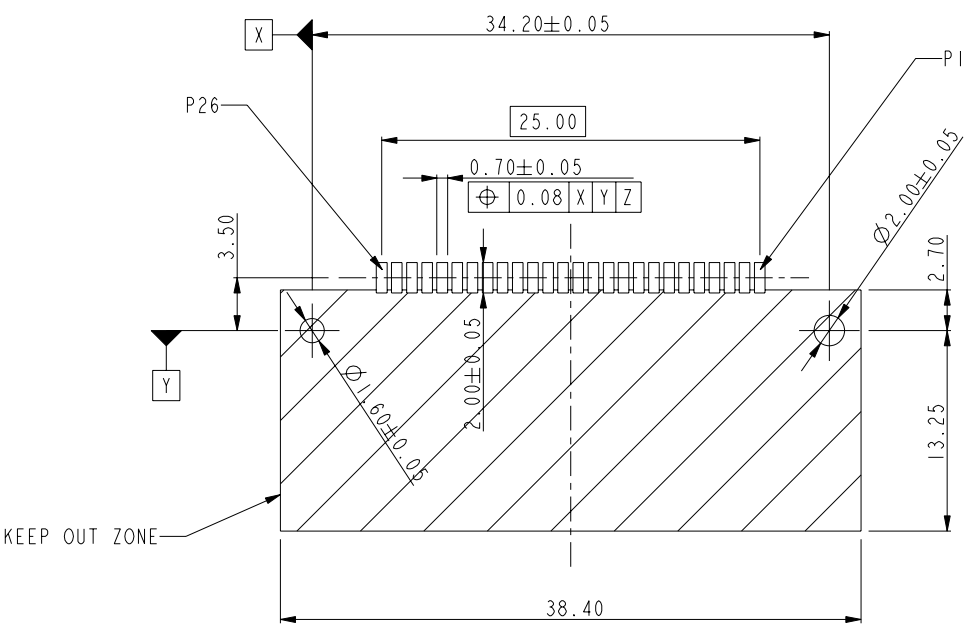


Copyright FCI.

2

3

4



**NOTES :**

1. MATERIAL:  
HOUSING: HIGH TEMPERATURE THERMOPLASTIC,  
UL 94 V-0 FLAME RETARDANT.  
TERMINAL: COPPER ALLOY.  
PLATING SPEC. AS BELOW:  
Ni 50u" UNDER PLATED.  
Au OR GXT OVER CONTACT AREA. (ONE SIDE)  
Tin 120u" OVER SOLDERING AREA.
2. PACKING SPEC. GS-14-924.
3. PRODUCT PERFORMANCE PER SPEC. GS-12-285.
4. PART NUMBER SCHEME: (EX. 10055262-100BBSLF)  
10055262-X XX X X XLF (LEAD FREE)

SPEC.	OPTION (CODE)		
	TRAY (S)	TAPE & REEL (T)	TUBE (P)
PACKING	TRAY (S)	TAPE & REEL (T)	TUBE (P)
HSG COLOR	BLACK (B)	NATURE (N)	
MOUNT SIDE	BELOW (B)		
STAND-OFF	0 (00)		
PLATING	GOLD 30u" (1)	GXT 30u" (2)	
		GXT 15u" (4)	

5. RoHS COMPATIBLE PRODUCT SPECIFICATIONS  
a-PLATING:  
-"LF" MEANS THE PRODUCT IS LEAD-FREE, 2micro-meter MINIMUM MATTE TIN OVER 1.27micro-meter MINIMUM NICKEL UNDERPLATE.  
b-MANUFACTURING PROCESS COMPATIBILITY.  
-THE HOUSING WILL WITHSTAND EXPOSURE TO 260°C±5°C SOLDER BATH TEMPERATURE FOR 5 SECONDS IN A REFLOW SOLDER APPLICATION WITH A 1.6mm MIN THICK CIRCUIT BOARD.
6. COMPLANARITY FOR SOLDER TAILS IS 0.10 MAXIMUM.

RECOMMENDED PCB LAYOUT  
(VIEW FROM MOUNTING SIDE)

SCALE 2.000

www.fciconnect.com			surface <input checked="" type="checkbox"/>	tolerance std ASME Y14.5	projection	MM		
			TOLERANCES UNLESS OTHERWISE SPECIFIED					
Dr	KENNY TAI	04-08-2005	ANGULAR	LINEAR	0.X	±0.50	size A4	Scale 1.000
Eng	KENNY TAI	04-08-2005			0.XX	±0.30		
Chr	KENNY TAI	04-08-2005			0°	±2°		
Appr	PAUL WANG	04-08-2005	Product family			Spec ref *		
			title BELOW MOUNT, 0 STAND-OFF			dwg no 10055262		Rev. D
			EXPRESSCARD HOST CONNECTOR			CUSTOMER		sheet 2 of 2
			catalog no 10055262					

2

3 PDM: Rev:D

STATUS Released

4 Printed: Oct 16, 2008